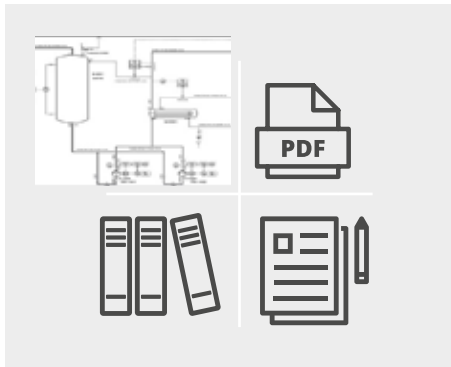


From legacy documentation to a digital twin

How can you speed up the conversion process using newest technology?

COMMON SITUATION



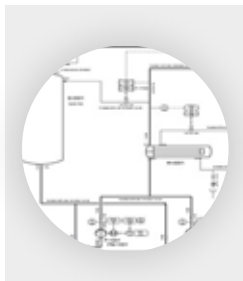
Previously, all data had to be accessed separately.

DESIRED SITUATION



With **PIDGraph**, all types of data are digitally captured and available collected in one place.

Significantly enhance P&ID conversion based on Artificial Intelligence



P&ID according to individual symbol standard e.g. PDF



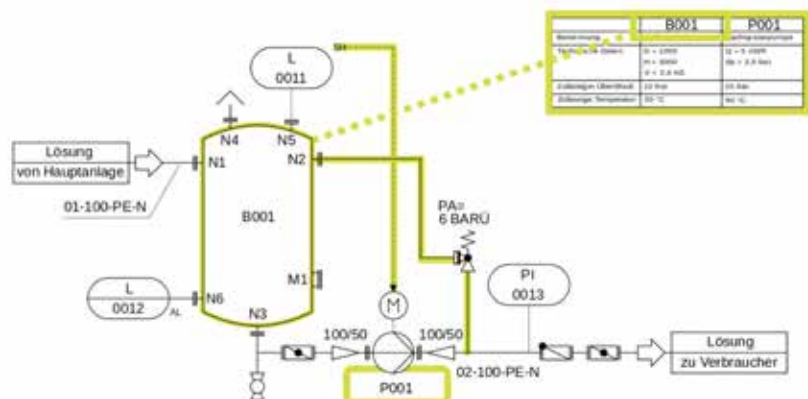
Intelligent XML output



Export to 3rd party CAE systems or others

Recognition of all visible elements on a P&ID

- TABLE
- LINE TYPES
- COMPONENT
- TAG

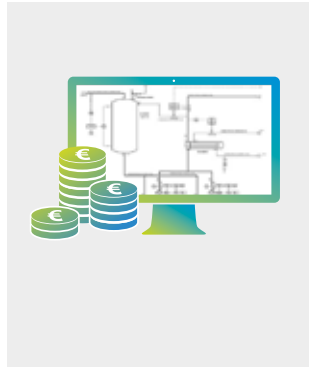




Applications for intelligent P&IDs

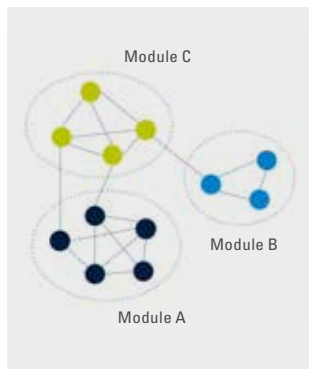
Optimization potentials from engineering to operations and maintenance

Central and efficient management of P&IDs



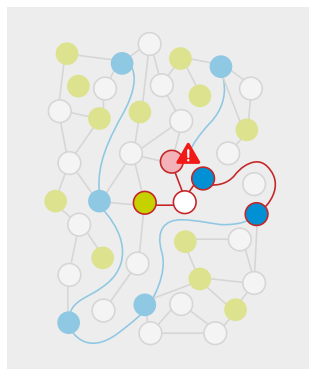
- lower cost for management
- always the right information in place
- no search time
- easier collaboration with sub-contractors
- foundation to merge with CMMS and other systems

Deep graph analysis to optimize engineering



- identify patterns in graph and therefore define modules
- module-based engineering
- speed up new engineering projects
- automated completeness check of PIDs
- automated risk analysis

Process-based analytics for actionable insights



- identify causal relationships between equipments
- leverage advantage for predictive maintenance

Why BILFINGER DIGITAL NEXT?

Fast, easy, safe!

BILFINGER DIGITAL NEXT is the corporate start-up driving the **digital transformation** in the **process industry**.

The combination of **data experts** with **industrial expertise** supported by strong partners leads to our solution portfolio: **BCAP®**.



40+ employees



Located in Heidelberg



20+ Solutions



Global customers



Get in touch!

+49 6221 427894-0
digitalfrontrunner@bilfinger.com

WE MAKE
DIGITALIZATION
WORK!

